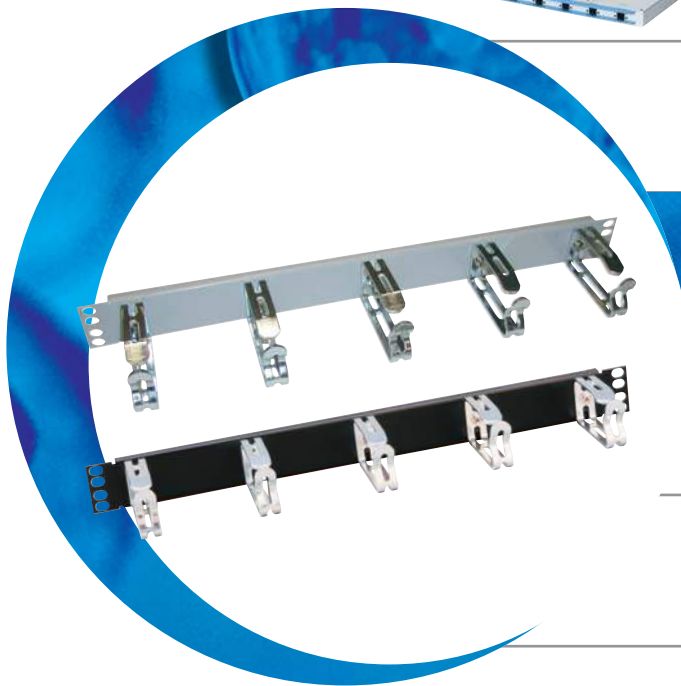




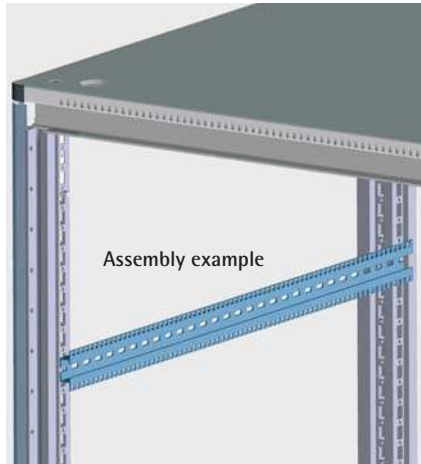
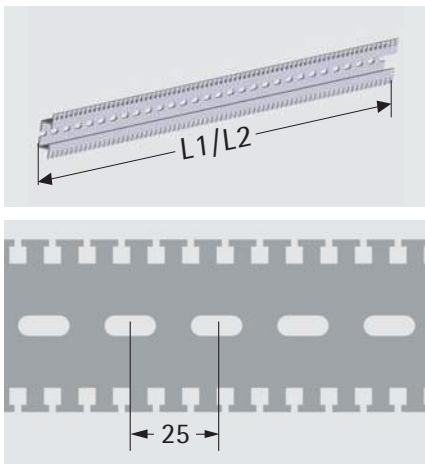
	19" TiRAX cabinet system	from page	3	
	19" NETcell cabinet system	from page	31	
	Open 19" racks	from page	43	
	Wall-mounting/stand-alone distribution systems	from page	53	
	Wall-mounting enclosure systems	from page	63	
	Air conditioning technology	from page	77	
	Power distribution system	from page	85	
	Cabinet monitoring	from page	101	
	Cable management	from page	105	
	Workstation systems	from page	109	
	General accessories/ distribution technology	from page	123	



You can read more about products from the apra-group at www.apra-norm.com



"Universal" cable guard rail

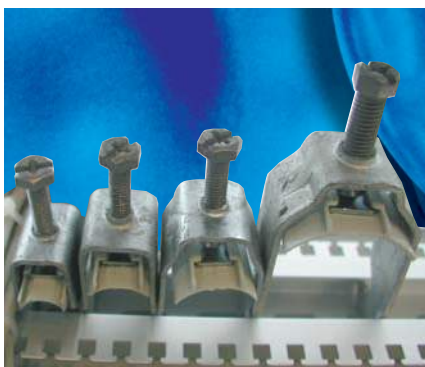


- with integrated cable management bracket
- holds cable ties and cable clips in place

Material: aluminium, anodised
Scope of delivery: includes mounting material

Version	Order no.
L1 (520 mm)	318-121-10
L2 (720 mm)	318-121-11

Cable clamps



- to mount cables on the "Universal" cable guard rail

Size for cable Ø mm	Order no.
8-12	640-132
12-16	640-133
16-22	640-134
28-34	640-134-10

"Universal" velcro strip



- for quickly securing **non 19"-compatible** components
 - Length: 400 mm, width: 20 mm
 - back to back mounting
 - set = 10 pieces
- Material:** velcro, black

Order no. (set)
671-122-04

"Universal" velcro mount

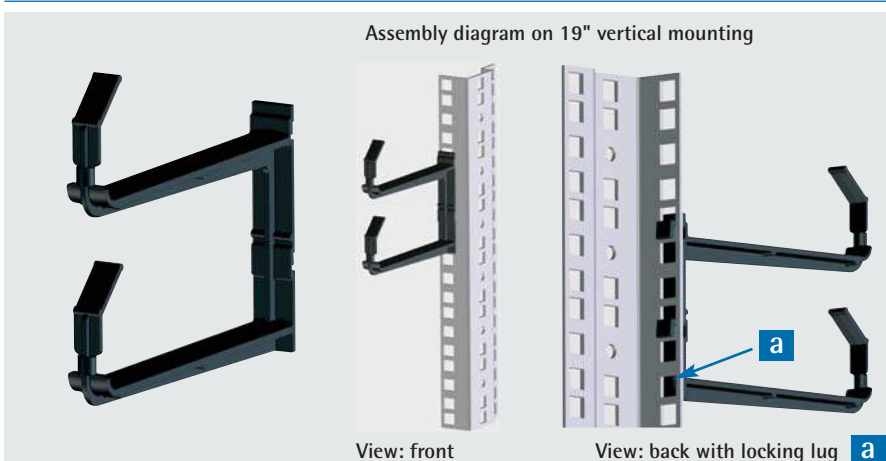


- velcro mount used to accommodate velcro up to w=20 mm
- set = 10 pieces

Material: plastic

Order no. (set)
583-001-08

"Universal" cable clip set



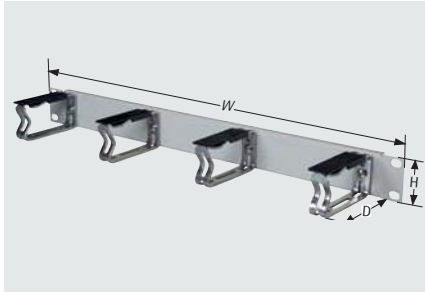
- to clip into 19" standard vertical mounting
- set = 10 pieces

Material: plastic

Order no. (set)
640-030-35



19" cable routing panel with metal clamps 1 U/2 U

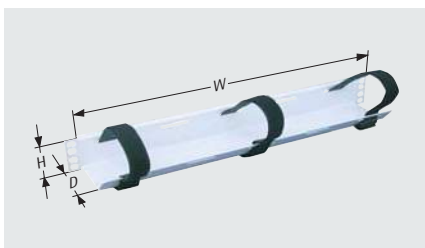


- for clear and neat horizontal cable routing in the 19" level
- including 4 cable hoops and lockings

Finish: painted/chrome-plated
RAL 7035 light grey
RAL 9005 jet black
Material: sheet metal/metal
Dimensions (H x W x D):
44/88 x 482,6 x 90/130 mm
Scope of delivery:
complete with mounting material

U	RAL 7035	RAL 9005
1	213-145-41	213-145-42
2	213-145-43	213-145-44

19" cable routing panel 1 U with Velcro fasteners



- for clear and neat horizontal cable routing in the 19" level with Velcro fastener

Finish:
RAL 7035 light grey
RAL 9005 jet black
Material: sheet metal/plastic
Dimensions (H x W x D):
44 x 482.6 x 90 mm
Scope of delivery:
complete with 3 x Velcro strip and mounting material

U	RAL 7035	RAL 9005
1	213-161-00	213-161-10

19" cable routing panel with plastic clamps 1 U



- for clear and neat horizontal cable routing in the 19" level
- clips: Version, narrow

Finish:
RAL 7035 light grey
RAL 9005 jet black
Material: sheet metal/plastic
Dimensions (H x W x D):
44 x 482.6 x 60 mm
Scope of delivery:
complete with mounting material

U	RAL 7035	RAL 9005
1	213-145-00	213-145-30

19" cable routing panel with cover panels 1 U / 2 U



- for clear and neat covered cable routing in the 19" level
- with adjustment options
- removable front panel

Finish:
RAL 7035 light grey
RAL 9005 jet black
Material: sheet steel
Dimensions (H x W x D):
44/88 x 482.6 x 100 mm
Scope of delivery:
complete with mounting material

U	RAL 7035	RAL 9005
1	213-145-65	213-145-95
2	213-145-68	213-145-98

19" switch panel, plastic 1 U



- for clear and neat horizontal cable routing in the 19" level
- weight-saving in comparison to traditional metal panels
- fire protection classification to UL94 V-0

Finish: black (similar to RAL 9005)
Material: plastic (polyamide)
Dimensions (H x W x D):
44 x 482.6 x 60 mm
Scope of delivery:
complete with mounting material

Order no.
213-145-80

19" cable duct 1 U with brush and strain-relief comb



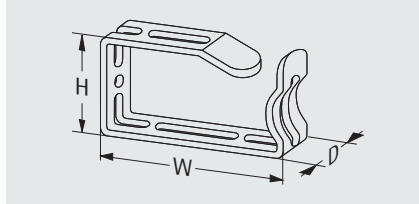
- for cable entry with brush

Finish:
RAL 7035 light grey
RAL 9005 jet black
Material: sheet metal/plastic
Dimensions (H x W x D):
44 x 482.6 x 12 mm
Scope of delivery:
complete with brush and mounting material

U	RAL 7035	RAL 9005
1	213-146-00	213-146-10



Cable clips, metal

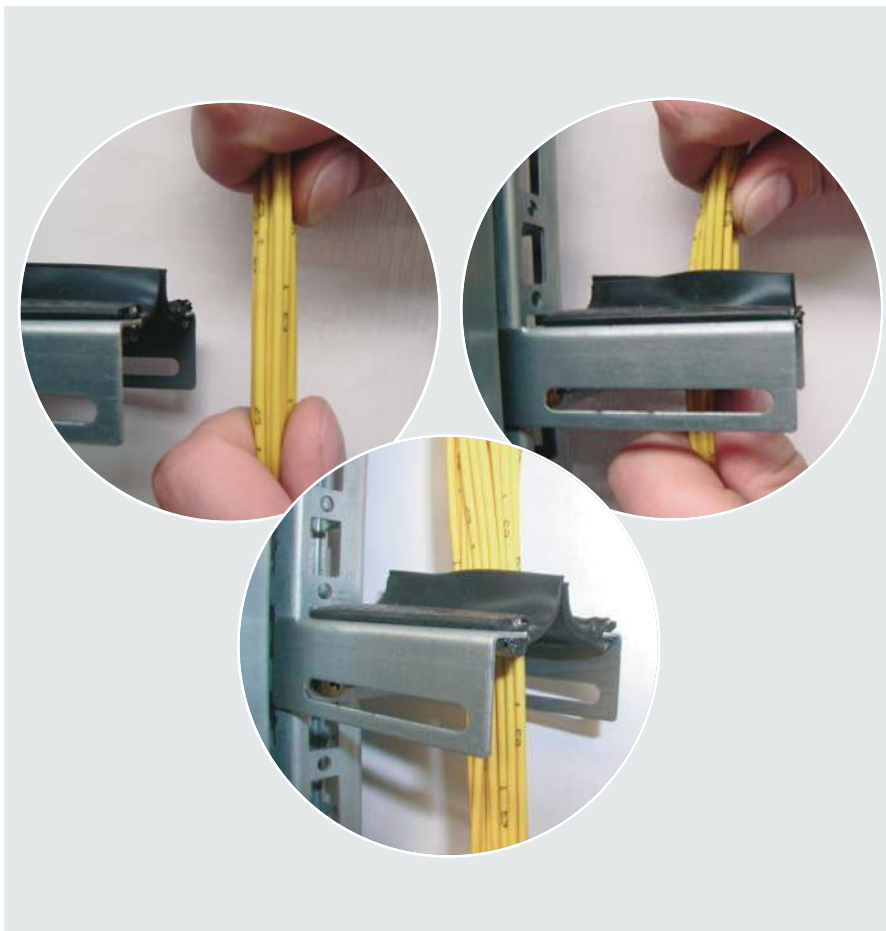


- for securing cables vertically to a 19" rack (for 800 mm wide cabinets)
- set = 10 pieces

Scope of delivery: includes mounting material

Design	Dimensions (H x W x D) mm	Order no. (set)
Size 1	44 x 85 x 23	640-036-11
Size 2	66 x 125 x 23	640-036-12
Size 3	88 x 125 x 23	640-036-13

"Easyfix" cable holder



- quick, clear and protective holders for vertical cabling in the rack
- preferred application for fibre optic cables

Order no.
640-036-15

Cable tray



- for vertical cable routing in racks
- fixing option for cable clamps, sizes 1, 2 and 3
- three cable bundles can be routed separately, e.g. power cords, patch cables and fibre optic cables

Finish: RAL 9005 jet black

Dimensions (H x W): 2 m x 250 mm

Order no.
318-101-26