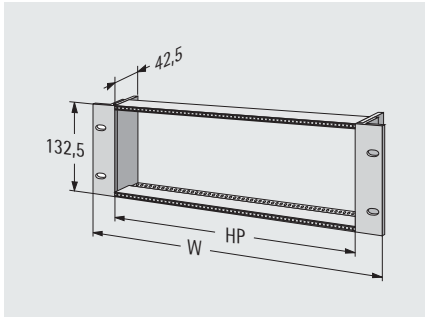




Frame, 3 U



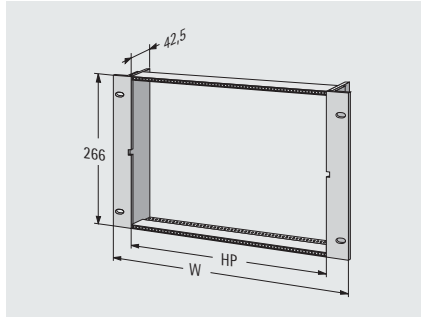
- single row with 2 threaded inserts

Delivery

Item	Pc.	Description
1	2	Front bracket
2	2	Module rails, chromated
3	2	Side pieces
4	2	Threaded inserts
5		Assembly material

HP	W mm	Order no.
84	482,60	242-901
42	269,40	242-911

Frame, 6 U

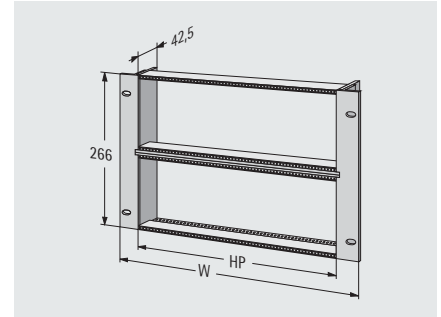


- double row with 2 threaded inserts

Delivery

Item	Pc.	Description
1	2	Front bracket
2	2	Module rails, chromated
3	2	Side pieces
4	2	Threaded inserts
5		Assembly material

HP	W mm	Order no.
84	482,60	242-903
42	269,40	242-913



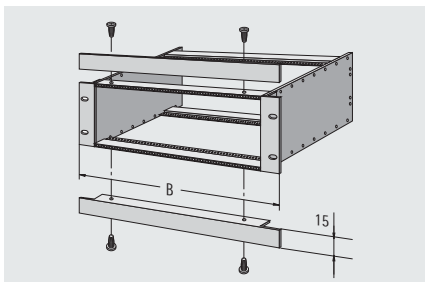
- double row with 4 threaded inserts

Delivery

Item	Pc.	Description
1	2	Front bracket
2	4	Module rails, chromated
3	2	Side pieces
4	4	Threaded inserts
5		Assembly material

HP	W mm	Order no.
84	482,60	242-902
42	269,40	242-912

Cover bracket



- for subracks in control panels, bracket 15 x 15 x 2 mm
- bracket overlap the cut-out in a control panel

Delivery: unmounted

For the installation of the mounting brackets, additional M3 threads need to be added in the front module rails. The module rail 241-113 (84 HP) can be used alternatively.

Delivery

Item	Pc.	Description
1	1	Bracket
2	2	Countersunk screw M 3 x 8

HP	W mm	Order no.
84	482,60	240-111
42	269,40	240-112