



## 206 • 19" Computer plug-in unit 4 U „EVO 2.0“

### 19" Computer plug-in unit 4 U „EVO 2.0“

- vibration-cushioned fixing of device
- quick mounting/ dismounting of device fixings
- fan may be assembled / disassembled without tooling
- filter pad can be exchanged from the front
- optimised ventilation
- maximum ventilation capacity
- EMC compatible construction
- protection against access for devices and control panel
- high stability
- all ATX form factors

#### Application:

suitable for mounting of:

- telescopic rails
- HUB's (card readers, USB connectors, etc.)
- fan by means of a boot or fixing device
- an internal fixing of device (not in connection with an extended ATX mainboard)
- PS/2 or redundant power supply
- 3 additional fans (40 x 40 mm) to the slot insert at the rear panel

#### Material:

sheet steel 1.0 mm

#### Finish:

chassis: galvanised  
front: RAL 7035 light grey

#### Dimensions (H x W x D):

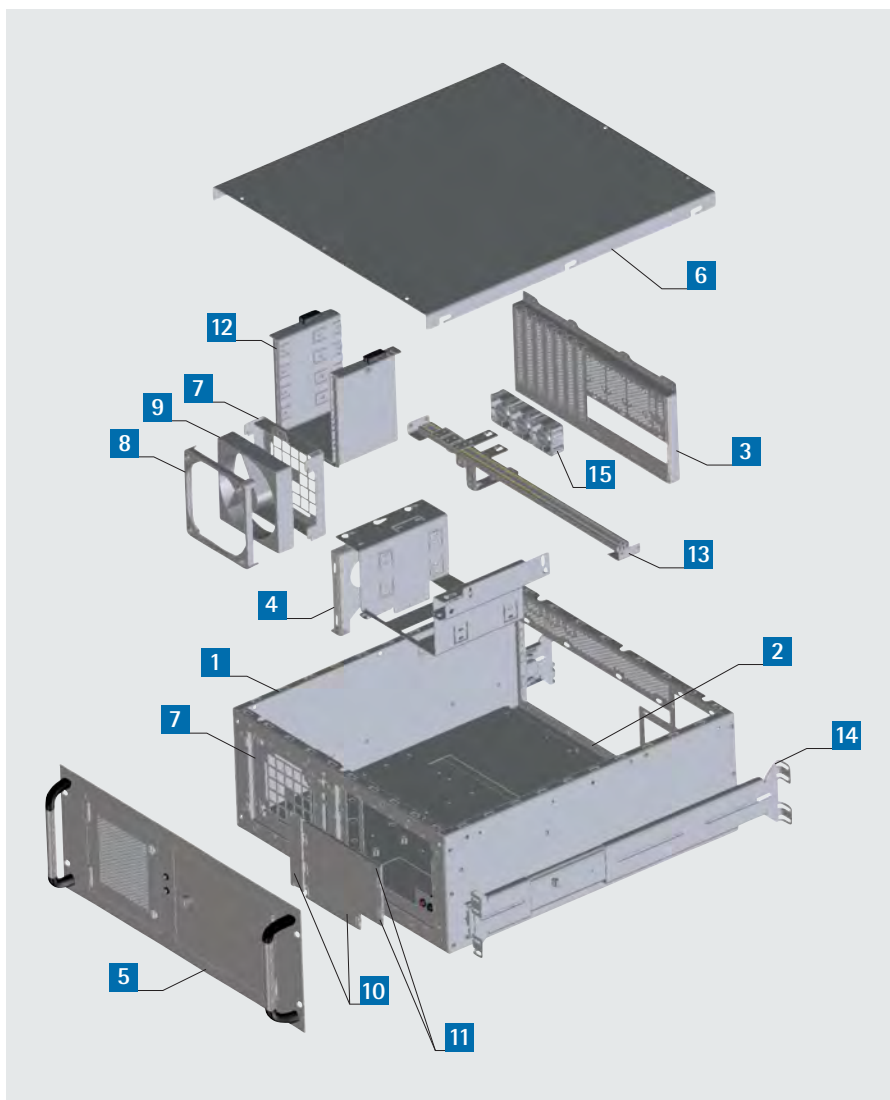
177 x 482,6 x 466 mm (without handles)

#### Delivery:

assembled, in single cardboard box

#### Standard

19" installation dimensions acc. to IEC 60297-3-100, ATX specification 2.03



#### Delivery: standard version

Item	Description
1	Chassis
2	Integrated boardchassis
3	Slot inlet
4	Drive holder
5	Front panel
6	Cover plate

<b>Order no.</b>
206-460-00



## Components list of the standard model 206-460-00

### 1 Chassis

- EMC compatible basic design

### 2 Board chassis

- integrated, to protect the PC board against torsional stress

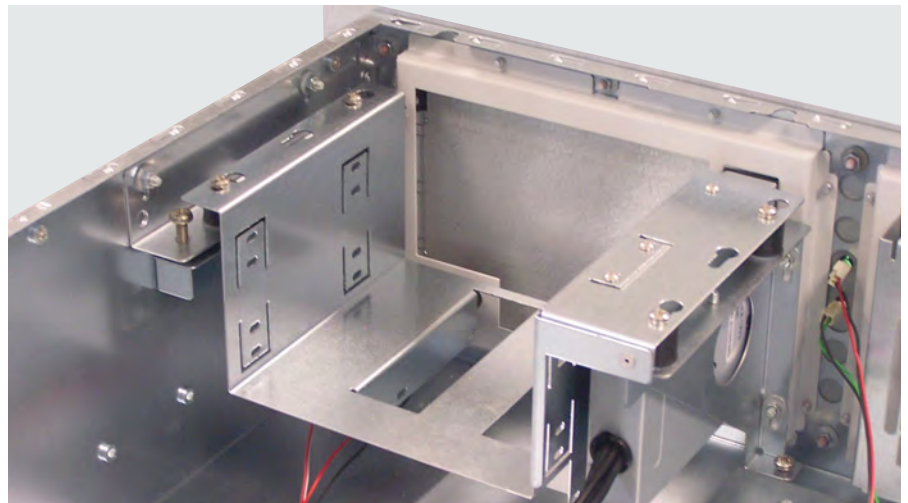
### 3 Slot insert

- ATX 7-fold with slot covers and 3 x SUB-D for break out
- optimised ventilation capacity
- 3 fans 40 x 40 mm can be installed



### 4 Drive slot

- can be assembled externally
- mounting of 2x 5 1/4" and 2x 3 1/2" drives
- safe and quick adjustment while mounted

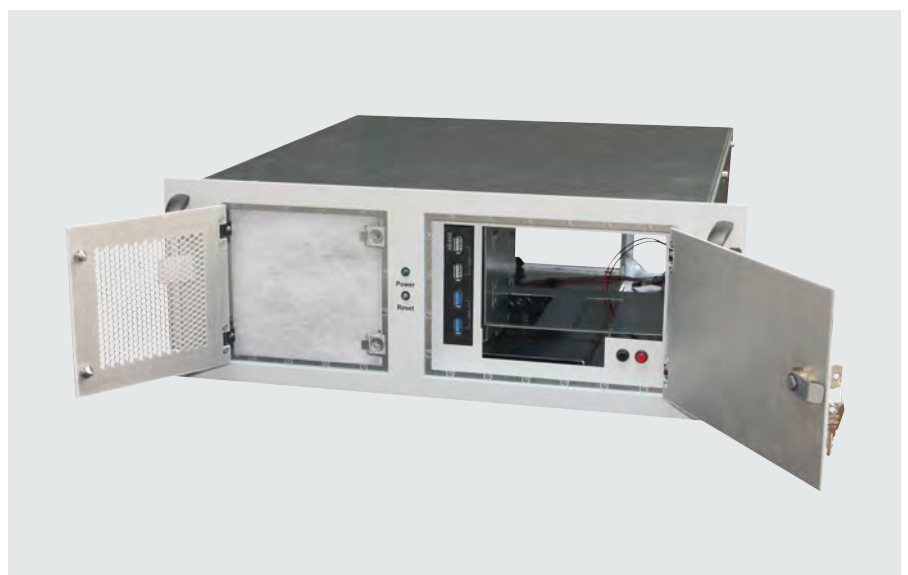


### 5 Front cover

- incl. fan door, Filter pad and drive-units door
- incl. handles
- incl. - 2 x LED
  - 1 x Reset button
  - 1 x Power button
- lockable doors with rapid fastenings and sash fastener

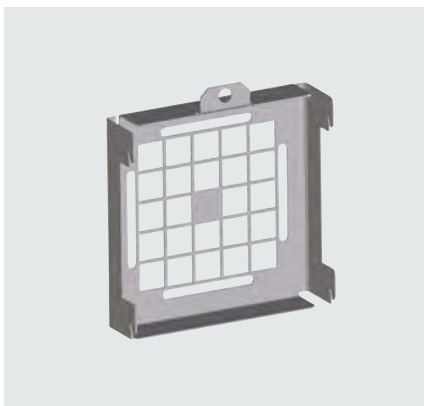
### 6 Cover plate

- easy mounting due to "apra-fix" mounting system





**7 Fan clamp**



- fixing for fans size 119 x 119 x 25 mm
- can be mounted without any tools
- suitable for fan Item 9

**Material:**  
sheet steel 1.0 mm  
**Finish:**  
galvanised

<b>Order no.</b>
205-459-11

**8 Fan boot**

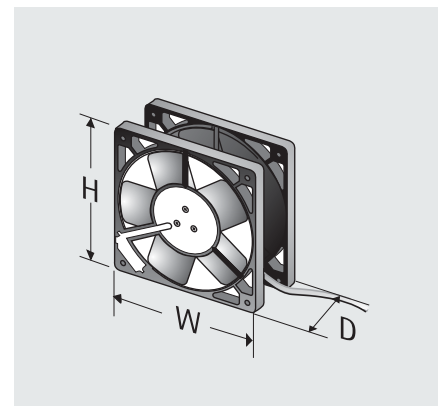


- fixing for fans size 119 x 119 x 25 mm
- reduces fan noise
- suitable for fan Item 9

**Material:**  
thermoplastic elastomer

<b>Order no.</b>
206-460-31

**9 Fan 12 V 119 x 119 mm**



- high-quality PAPST-fan
- incl. connector plug for power supply or speed-monitored on the motherboard

**Dimensions (H x W x D):**  
119 x 119 x 25

Description	Air flow rate/ Noise level	Order no.
Connected to power supply	140 m <sup>3</sup> /h / 38 dB(A)	230-815
Connected to motherboard, speed-monitored	94 m <sup>3</sup> /h / 26 dB(A)	230-824
Replacement filter mat		671-200-51

**10 Blind cover for drive slot 3 1/2"**



- snap-in from front side
- mounting/ dismounting without tool

**Material:**  
polystyrene PS, flammability tested acc. to UL94-HB

**Finish:**  
similar to RAL 7035 light grey

<b>Order no.</b>
206-460-42

**11 Blind cover for drive slot 5 1/4"**



- snap-in from front side
- mounting/ dismounting without tool

**Material:**  
polystyrene PS, flammability tested acc. to UL94-HB

**Finish:**  
similar to RAL 7035 light grey

<b>Order no.</b>
206-460-41

**12 Internal hard drive cage**



- for up to 4 hard drives 3 1/2 "
- vibration covered
- fast removing / change of hard drive cage with quick-fastener system

Not suitable for extended ATX Mainboards

<b>Order no.</b>
205-460-16



**13** Card holder set



- steplessly adjustable in height by card fixing brackets
- horizontal regulation of card fixing bracket by threaded strips
- please order card fixing brackets separately (see below)

**Material:** sheet steel 1.0 mm

**Finish:** card holder: galvanised  
mounting rail: chromated

Description	Order no.
Card holder	206-460-50
Card fixing bracket for card height 100 – 88 mm	206-460-61
Card fixing bracket for card height 88 – 65 mm	206-460-62
Card fixing bracket for card height 64 – 40 mm	206-460-63

**USB Hub**



- 2 x USB 2.0
- 2 x USB 3.0
- suitable for mounting into a 3 1/2" drive

Order no.
206-460-45

**14** Telescopic rails extension set

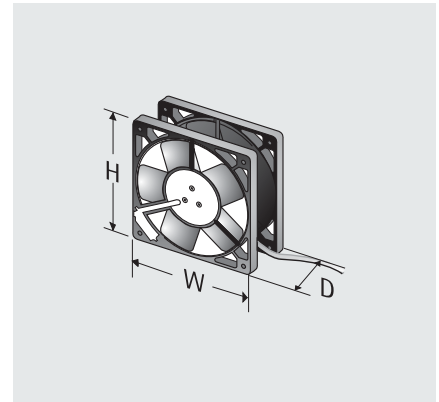


- patent pending "aprafix" mounting system
- for cabinet depth 600 and 800 mm
- high-class telescopic rails with
  - full extension
  - separable
  - interlocking when extended
- complete with 2 telescopic rails and mounting material

**Load capacity:**  
66 kg per pair

Order no.
680-075-00

**15** Fan 12 V 40 x 40 mm



- for speed-monitored connection to motherboard
- dimensions (W x H x D):  
40 x 40 x 25 mm

Order no.
230-865